

# AC Input Unit G32A-B

CSM\_G32A-B\_DS\_E\_1\_3

Refer to *Safety Precautions for All Solid State Relays*.

## AC Input Unit Enabling AC Operation

- Connects to a maximum of two G3PA-VD Relays.



For the most recent information on models that have been certified for safety standards, refer to your OMRON website.

## Model Number Structure

### ■ Model Number Legend

#### G32A-B-US

1 2 3

#### 1. Basic Model Type

G32A: Accessory for G3PA

#### 2. Basic Model Name

B: AC Input Unit

#### 3. Certification

US: Certified by UL and CSA

## Ordering Information

### ■ List of Models

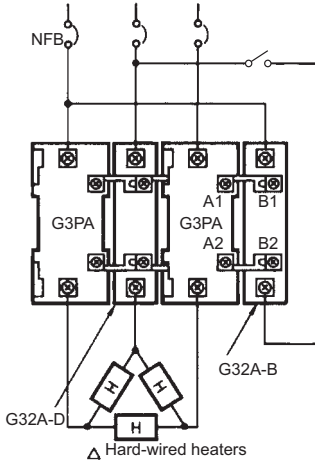
Name	Rated input voltage	Model
AC Input Unit	100/120 VAC	G32A-B-US
	200/240 VAC	

**Note:** When ordering, specify the rated input voltage.

# Application Examples

## AC Operation

Two G3PA-VD Relays and One G32A-B AC Input Unit



- Note:**
1. Two voltage specifications are available for the G32A-B, 100/120 VAC and 200/240 VAC.
  2. The G32A-B can only be used with the G3PA-VD.

## Specifications

### ■ Ratings (at an Ambient Temperature of 25°C)

Item		Rated input voltage	
		100/120 VAC	200/240 VAC
Rated input current	50 Hz	100 (200) VAC	21.4 mA TYP
		120 (240) VAC	26.5 mA TYP
	60 Hz	100 (200) VAC	25.4 mA TYP
		120 (240) VAC	31.6 mA TYP
Must operate voltage		75% max. of the rated voltage	
Must release voltage		10% min. of the rated voltage	
Output voltage/current		12 VDC ±15%/15 mA max.	

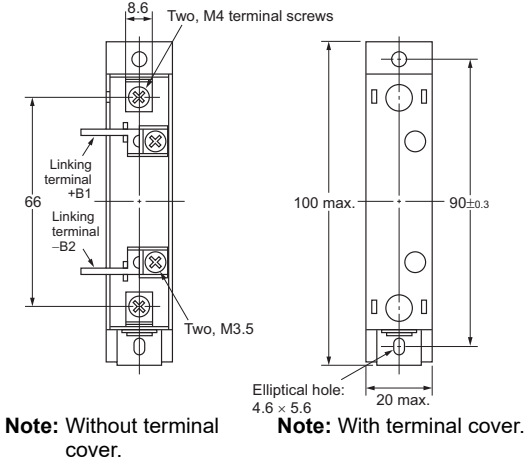
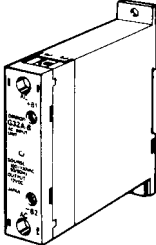
### ■ Characteristics

Item	Rated input voltage	
	100/120 VAC	200/240 VAC
Input voltage range	75 to 132 VAC	150 to 264 VAC
Operate time	1.5 cycles max. of load power supply	
Release time	1.5 cycles max. of load power supply	
Vibration resistance	10 to 55 to 10 Hz, 0.375-mm single amplitude (when mounted to DIN track)	
Shock resistance	300 m/s <sup>2</sup> (Approx. 30 G)	
Ambient temperature	Storage: -30 to 100°C (with no icing or condensation) Operating: -30 to 80°C (with no icing or condensation)	
Ambient humidity	Operating: 45% to 85%	
Weight	Approx. 80 g	

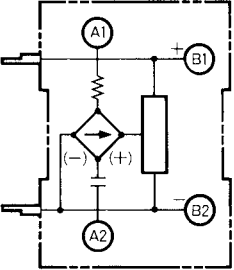
# Dimensions

Note: All units are in millimeters unless otherwise indicated.

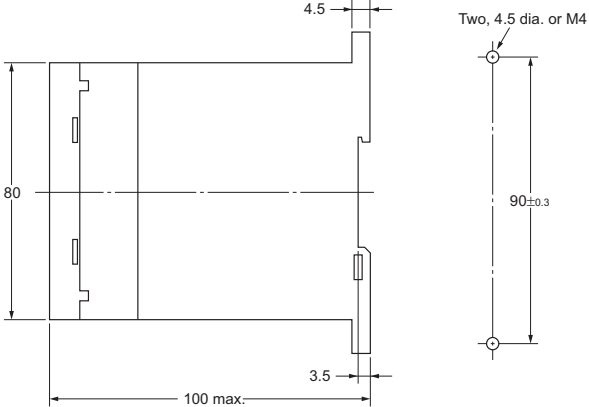
## G32A-B



Terminal Arrangement/  
Internal Circuit Diagram



Mounting Holes



# Safety Precautions

## Precautions for Correct Use

Please observe the following precautions to prevent failure to operate, malfunction, or undesirable effect on product performance. For details on connecting linking terminals, refer to *G3PA Datasheet*.

### Input

The capacitor drop method is used in the internal circuit of the G32A-B. As a result, if the input of the G32A-B is switched using relay contacts, then the capacitor will cause an inrush current to flow between terminals A1 and A2 when the power is ON, and a voltage approximately twice the power supply voltage to be applied to the relay contacts when the power is OFF.

ALL DIMENSIONS SHOWN ARE IN MILLIMETERS.  
To convert millimeters into inches, multiply by 0.03937. To convert grams into ounces, multiply by 0.03527.

In the interest of product improvement, specifications are subject to change without notice.

## Terms and Conditions Agreement

### Read and understand this catalog.

Please read and understand this catalog before purchasing the products. Please consult your OMRON representative if you have any questions or comments.

### Warranties.

(a) Exclusive Warranty. Omron's exclusive warranty is that the Products will be free from defects in materials and workmanship for a period of twelve months from the date of sale by Omron (or such other period expressed in writing by Omron). Omron disclaims all other warranties, express or implied.

(b) Limitations. OMRON MAKES NO WARRANTY OR REPRESENTATION, EXPRESS OR IMPLIED, ABOUT NON-INFRINGEMENT, MERCHANTABILITY OR FITNESS FOR A PARTICULAR PURPOSE OF THE PRODUCTS. BUYER ACKNOWLEDGES THAT IT ALONE HAS DETERMINED THAT THE PRODUCTS WILL SUITABLY MEET THE REQUIREMENTS OF THEIR INTENDED USE.

Omron further disclaims all warranties and responsibility of any type for claims or expenses based on infringement by the Products or otherwise of any intellectual property right. (c) Buyer Remedy. Omron's sole obligation hereunder shall be, at Omron's election, to (i) replace (in the form originally shipped with Buyer responsible for labor charges for removal or replacement thereof) the non-complying Product, (ii) repair the non-complying Product, or (iii) repay or credit Buyer an amount equal to the purchase price of the non-complying Product; provided that in no event shall Omron be responsible for warranty, repair, indemnity or any other claims or expenses regarding the Products unless Omron's analysis confirms that the Products were properly handled, stored, installed and maintained and not subject to contamination, abuse, misuse or inappropriate modification. Return of any Products by Buyer must be approved in writing by Omron before shipment. Omron Companies shall not be liable for the suitability or unsuitability or the results from the use of Products in combination with any electrical or electronic components, circuits, system assemblies or any other materials or substances or environments. Any advice, recommendations or information given orally or in writing, are not to be construed as an amendment or addition to the above warranty.

See <http://www.omron.com/global/> or contact your Omron representative for published information.

### Limitation on Liability: Etc.

OMRON COMPANIES SHALL NOT BE LIABLE FOR SPECIAL, INDIRECT, INCIDENTAL, OR CONSEQUENTIAL DAMAGES, LOSS OF PROFITS OR PRODUCTION OR COMMERCIAL LOSS IN ANY WAY CONNECTED WITH THE PRODUCTS, WHETHER SUCH CLAIM IS BASED IN CONTRACT, WARRANTY, NEGLIGENCE OR STRICT LIABILITY.

Further, in no event shall liability of Omron Companies exceed the individual price of the Product on which liability is asserted.

### Suitability of Use.

Omron Companies shall not be responsible for conformity with any standards, codes or regulations which apply to the combination of the Product in the Buyer's application or use of the Product. At Buyer's request, Omron will provide applicable third party certification documents identifying ratings and limitations of use which apply to the Product. This information by itself is not sufficient for a complete determination of the suitability of the Product in combination with the end product, machine, system, or other application or use. Buyer shall be solely responsible for determining appropriateness of the particular Product with respect to Buyer's application, product or system. Buyer shall take application responsibility in all cases.

NEVER USE THE PRODUCT FOR AN APPLICATION INVOLVING SERIOUS RISK TO LIFE OR PROPERTY OR IN LARGE QUANTITIES WITHOUT ENSURING THAT THE SYSTEM AS A WHOLE HAS BEEN DESIGNED TO ADDRESS THE RISKS, AND THAT THE OMRON PRODUCT(S) IS PROPERLY RATED AND INSTALLED FOR THE INTENDED USE WITHIN THE OVERALL EQUIPMENT OR SYSTEM.

### Programmable Products.

Omron Companies shall not be responsible for the user's programming of a programmable Product, or any consequence thereof.

### Performance Data.

Data presented in Omron Company websites, catalogs and other materials is provided as a guide for the user in determining suitability and does not constitute a warranty. It may represent the result of Omron's test conditions, and the user must correlate it to actual application requirements. Actual performance is subject to the Omron's Warranty and Limitations of Liability.

### Change in Specifications.

Product specifications and accessories may be changed at any time based on improvements and other reasons. It is our practice to change part numbers when published ratings or features are changed, or when significant construction changes are made. However, some specifications of the Product may be changed without any notice. When in doubt, special part numbers may be assigned to fix or establish key specifications for your application. Please consult with your Omron's representative at any time to confirm actual specifications of purchased Product.

### Errors and Omissions.

Information presented by Omron Companies has been checked and is believed to be accurate; however, no responsibility is assumed for clerical, typographical or proofreading errors or omissions.