

Precaution for Compliance with UL Standards and CSA Standards

OMRON Corporation 2007 All Rights Reserved

Notice to Users of the NT20 in USA and Canada

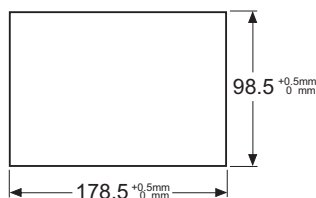
Please follow the following installation information instead of the general information in the instruction manuals in order to use the product by certified condition of UL and CSA when the products are installed in USA and Canada. These conditions are according to the National Electrical Code in USA and the Canadian Electrical Code and may vary from information given in the product manuals or safety precautions.

● Installation in a Panel

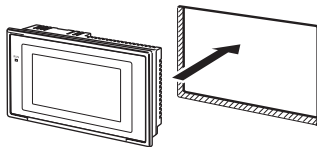
NT20 is normally installed on a flat surface in an operation panel. Use a Type 1 Enclosure for the operation panel. Install the NT20 using the following procedure:

1, 2, 3... 1.Create an opening in the panel.

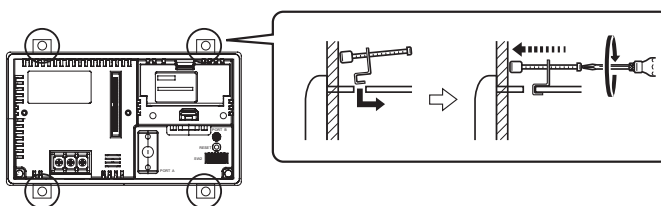
Panel thickness: 1.6 to 4.8 mm



2.Install the NT20 from the front of the panel.



3.With the provided Mounting Brackets, secure the NT20 to the panel. Tighten them evenly to the specified torque. Excessive tightening or insufficient tightening may deform the front sheet. To maintain water-resistant performance, the tightening torque must be 0.5 to 0.6 N•m.



● 24-V DC Power Supply Wiring for Models with DC Power Supply Input.

1. Use an isolated DC Power Supply.
2. Do not use crimp terminal to wire the power.
3. Tightening torque and wire range for the terminal screws
 - 12 Lb In (1.35N•m), AWG12 from AWG14 for USA
 - 8.9 Lb In (1.0N•m), AWG14 from AWG18 for Canada

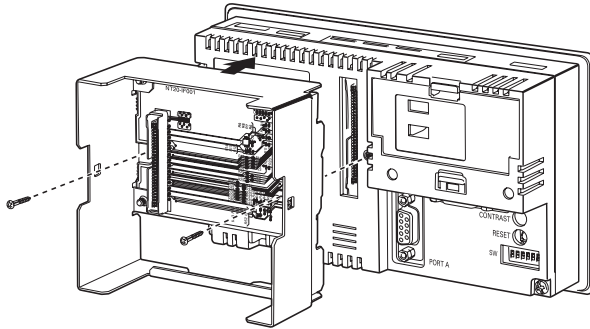
● Accessories Unit for NT20

NT20-IF001 : Interface Unit.

NT600M-LB122-V1 : C200H Link Bus Unit.

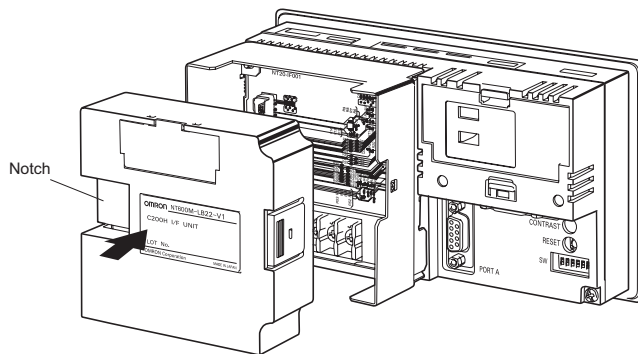
- Mounting the NT20-IF001 and NT600M-LB122-V1

- 1, 2, 3... 1. As shown in the following diagram, connect the NT20 connector on the back of the NT20-IF001 to the expansion interface connector on the NT20 PT.



2. After connecting the connector, secure the NT20-IF001 with the two screws. The tightening torque is 0.6N•m.

3. As shown in the following diagram, hold the Link Bus Unit with the notch on the left and press the Link Bus Unit into the NT20-IF001 until it clicks into place.



4. Ground the NT20-IF001 through the ground screw.

- Link Bus Unit cable for NT600M-LB122-V1.

1. Use the recommended cable: C200H-CN311, 711, 221,521, 131

- RS-232C cable for NT20

1. Use the recommended cable: XW2Z series (ex; XW2Z-200S-CV)

- Environment

1. Rated 50°C surrounding air temperature. Use a Type 1 Enclosure for the operation panel.

- Compliance with UL1604 Class I Division 2

1. This equipment is suitable for use in Class I, Div.2, Group A, B, C, D or Non-Hazardous Locations Only.
2. WARNING : Explosion Hazard - Substitution of Components may Impair Suitability for Class I, Div.2.
3. WARNING : Explosion Hazard - Do not Disconnect Equipment Unless Power Has Been Switched off or the Area Is Known to Be Non-Hazardous.
4. This device is open-type and is required to be installed in an enclosure suitable for the environment and can only be accessed with the use of a tool or key.

1. Cet équipement convient à l'utilisation dans des emplacements de Classe I, Division 2, Groupes A, B, C, D, ou ne convient qu'à l'utilisation dans des endroits non dangereux.
2. AVERTISSEMENT : Risque d'explosion - La substitution de composants peut rendre ce matériel inacceptable pour les emplacements de Classe I, Division 2.
3. AVERTISSEMENT : Risque d'explosion - Avant de débrancher l'équipement, couper le courant ou s'assurer que l'emplacement est désigné non dangereux.
4. Ce dispositif est de type ouvert et doit être installé dans un coffret adapté à l'environnement et auquel on ne pourra accéder uniquement au moyen d'un outil ou d'une clé.