

Discontinuation Notice of Optical fiber sensors E3X-ZT&ZD series (for China main land area only)

Product Discontinuation

Fiber Sensors



Model E3X-ZT11/41
Model E3X-ZD21/51/7/9



Recommended Replacement

Fiber Sensors

Model E3X-ZD11/41
Model E3X-HD11/41/6/8

[Discontinuation date]

The end of March, 2014.

[Caution on recommended replacement]

- 1) Light level display and timer function are different, details are as below:
Light level: ZT series-- With indicator; ZD series—Digital display
Timer function: ZT series—Off delay; ZD series—No timer function
- 2) Pay attention to the cable length with ZD11, ZD11 has no 5 m cable.
- 3) HD series have DPC function

[Difference from discontinued product]





Recommended replacement Model	Body Color	Dimensions	Wire connection	Mounting Dimensions	Characteristics	Operation ratings	Operation methods
E3X-ZD11/41	**	**	**	**	*	*	--
E3X-HD11/41/6/8	**	*	**	**	*	*	*

- ** : Compatible
* : The change is a little/Almost compatible
-- : Not compatible
- : No corresponding specification

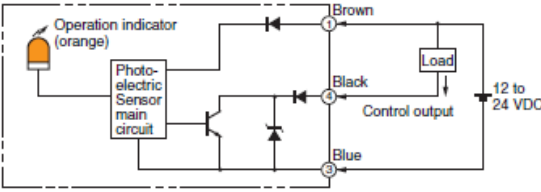
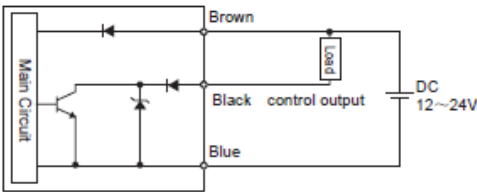
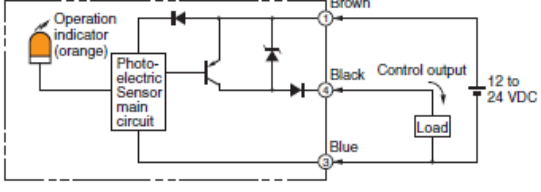
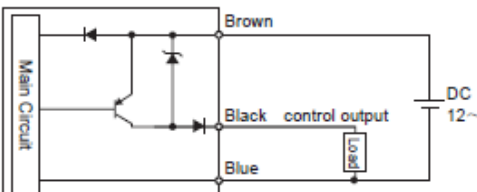
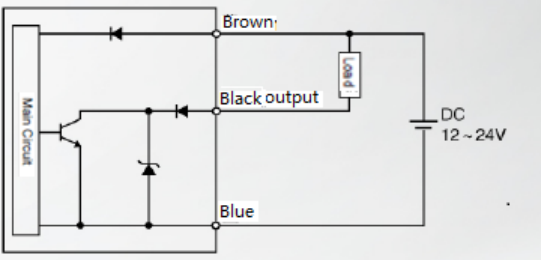
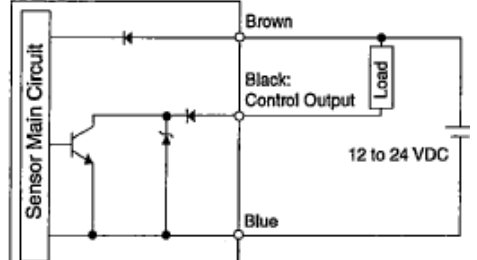
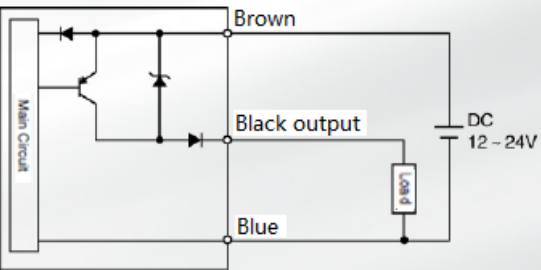
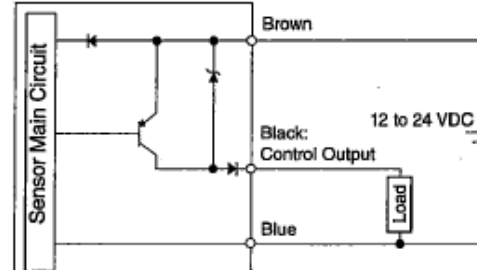
[Product Discontinuation and recommended replacement]

Product discontinuation	Recommended replacement
E3X-ZT11 2M	E3X-ZD11 2M
E3X-ZT41 2M	E3X-ZD41 2M
E3X-ZT11 5M	E3X-ZD11 2M
E3X-ZD21 2M	E3X-HD11 2M
E3X-ZD51 2M	E3X-HD41 2M
E3X-ZD7	E3X-HD6
E3X-ZD9	E3X-HD8

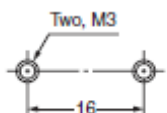
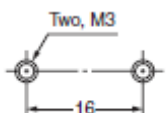
[Body color]

Product discontinuation	Recommendable replacement
<p>Model E3X-ZT11/41 Case: black</p> 	<p>Model E3X-ZD11/41 Case: black</p> 
<p>Model E3X-ZD21/51/7/9 Case: black</p> 	<p>Model E3X-HD11/41/6/8 Case: black</p> 

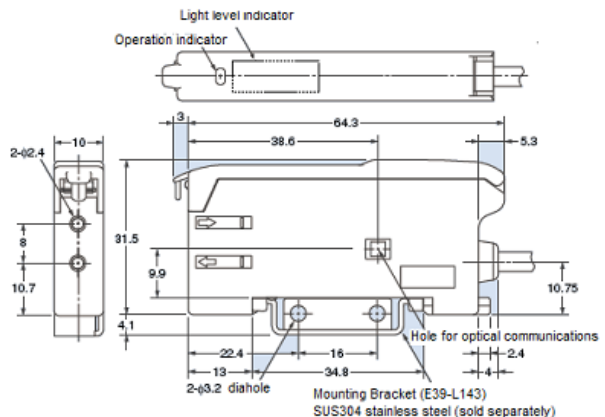
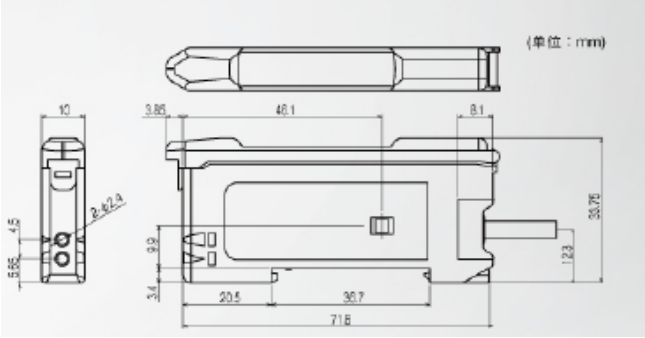
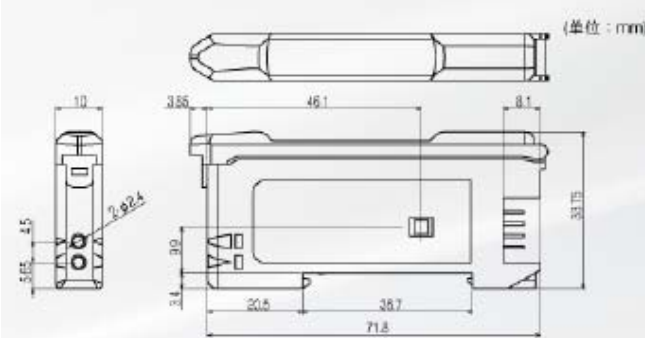
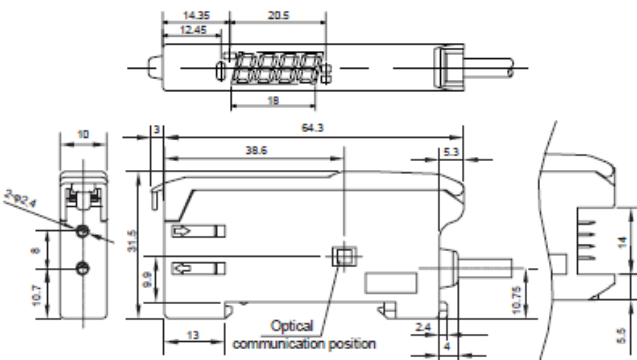
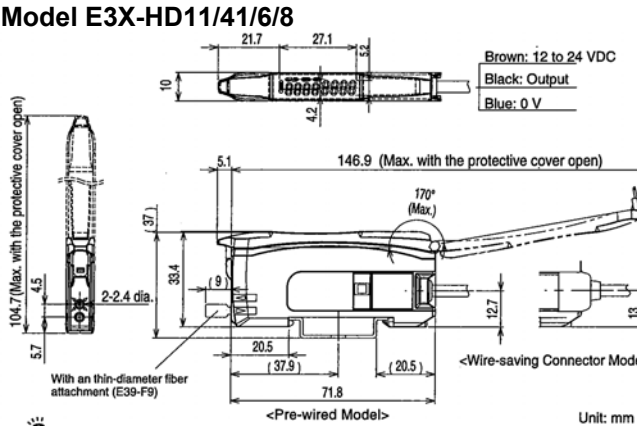
[Wire connection]

Product discontinuation	Recommendable replacement
<p>Model E3X-ZT11</p> 	<p>Model E3X-ZD11</p> 
<p>Model E3X-ZT41</p> 	<p>Model E3X-ZD41</p> 
<p>Model E3X-ZD21/51/7/9</p> <p>■ E3X-ZD21, E3X-ZD7 (NPN type)</p> 	<p>Model E3X-HD11/41/6/8</p> <p>■ E3X-HD11, E3X-HD6 (NPN Type)</p> 
<p>■ E3X-ZD51, E3X-ZD9 (PNP type)</p> 	<p>■ E3X-HD41, E3X-HD8 (PNP Type)</p> 

[Mounting dimensions]

<p>Product discontinuation Model E3X-ZT11/41 Model E3X-ZD21/51/7/9</p>	<p>Recommendable replacement Model E3X-ZD11/41 Model E3X-HD11/41/6/8</p>
	

[Dimensions]

<p>Product discontinuation</p> <p>Model E3X-ZT11/41</p>  <p>Model E3X-ZD21/51</p>  <p>Model E3X-ZD7/9</p> 	<p>Recommendable replacement</p> <p>Model E3X-ZD11/41</p>  <p>Model E3X-HD11/41/6/8</p> 
--	---

[Characteristics]

Item	Product discontinuation Model E3X-ZT11/41	Recommendable replacement Model E3X-ZD11/41
Light source (wavelength)	Red LED (620 nm)	Red LED (620 nm)
Current consumption	960 mW max. (current consumption: 40 mA max. at power supply voltage of 24 VDC)	840 mW max. (NPN:35 mA max. PNP: 38 mA max.)
Control output	Open-collector output (NPN or PNP) Load current: 50 mA max. (Residual voltage: 1.5 V max.) Light-ON/Dark-ON mode selector.	Open-collector output (NPN or PNP) Load current: 50 mA max. (Residual voltage: 1.5 V max.) Light-ON/Dark-ON mode selector.
Response time	Operate or reset: 200 μs max. (When there are 8 or more E3X-NA Amplifiers mounted side-by-side, the response time will be 350 μs max.)	Operate or reset: 200 μs max.
Sensitivity adjustment	Teaching	Teaching or manual adjustment
Protection circuits	Power supply reverse polarity protection, output short-circuit protection, output reverse polarity protection	Power supply reverse polarity protection, output short-circuit protection, output reverse polarity protection
Timer function	Off delay:10 ms (fixed)	No timer function
Mutual interference prevention	Up to 5 Amplifiers (optically synchronized)	Up to 5 Amplifiers (optically synchronized)
Degree of protection	IEC 60529 IP50 (with Protective Cover attached)	IEC 60529 IP50 (with Protective Cover attached)

Item	Product discontinuation Model E3X-ZD21/51/7/9	Recommendable replacement Model E3X-HD11/41/6/8
Light source (wavelength)	Red, 4-element LED (625 nm)	Red, 4-element LED (625 nm)
Power supply voltage	12 to 24 VDC \pm 10%, ripple (p-p): 10% max.	12 to 24 VDC \pm 10%, ripple (p-p): 10% max.
Current consumption	960mW max. (current consumption: 40 mA max. at power supply voltage of 24 VDC; 80 mA max. at power supply voltage of 12 VDC)	Normal: 720 mW max. (current consumption: 30 mA max. at power supply voltage of 24 VDC; 60 mA max. at power supply voltage of 12 VDC) Power-saving ECO: 530 mW max. (current consumption: 22 mA max. at power supply voltage of 24 VDC; 44 mA max. at power supply voltage of 12 VDC)
Control output	Load power supply voltage: 26.4 VDC; NPN/PNP open collector; load current: 100 mA max. (residual voltage: 2 V max)	Load power supply voltage: 26.4 VDC; NPN/PNP open collector; load current: 50 mA max. (residual voltage: 2 V max)
Response time	SHS: Operate or reset: 80 μ s max. HS: Operate or reset: 250 μ s max. STND: Operate or reset: 1 ms (original setting) HRES: Operate or reset: 4 ms.	SHS: HD11/6 Operate or reset: 50 μ s max. HD41/8 Operate or reset: 55 μ s max. HS: Operate or reset: 250 μ s max. (original setting) STND: Operate or reset: 1 ms GIGA: Operate or reset: 16 ms
Sensitivity adjustment	manual adjustment/ Auto teaching/ 2-point teaching/ maximum sensitivity teaching	Full auto turning/ 2-point turning / maximum sensitivity turning/ Position turning/ Penertage turning
Protection circuits	Power supply reverse polarity protection, output short-circuit protection, output reverse polarity protection	Power supply reverse polarity protection, output short-circuit protection, output reverse polarity protection
Timer function	Fixed time 1 ms, OFF delay, ON delay, OFF delay, ON/OFF delay, Trigger Timing	OFF delay, ON delay, One short time (1 to 9999 ms in 1 ms steps; the initial value: 10 ms)
Maximum connectable units	10 unites (Except SHS mode)	16 unites
Mutual interference prevention	Possible for up to 10 units (Except SHS mode)	Possible for up to 10 units (Except SHS mode)
APC (Auto Power Control)	Always ON	Always ON
Degree of protection	IEC 60529 IP50 (with Protective Cover attached)	IEC 60529 IP50 (with Protective Cover attached)

[Operation ratings]

Product discontinuation			Recommendable replacement		
Model E3X-ZT11/41			Model E3X-ZD11/41		
Fiber unit	Sensing distance		Fiber unit	Sensing distance	
E32-ZD200	150 mm		E32-ZD200	150 mm	
E32-ZT200	400 mm		E32-ZT200	400 mm	
Model E3X-ZD21/51/7/9			Model E3X-HD11/41/6/8		
Fiber unit	Mode	Sensing distance	Fiber unit	Mode	Sensing distance
E32-ZD200	-	-	E32-ZD200	GIGA	1400 mm
	HS	650 mm		HS	400 mm
	ST	400 mm		ST	600 mm
	SHS	120 mm		SHS	180 mm
E32-ZT200	-	-	E32-ZT200	GIGA	2800 mm
	HS	1300 mm		HS	1000 mm
	ST	1000 mm		ST	1550 mm
	SHS	260 mm		SHS	400 mm

[Operation methods]

Product discontinuation		Recommendable replacement	
Model E3X-ZT11/41		Model E3X-ZD11/41	
<p>Operation Selector Use to switch between Light-ON and Dark-ON</p> <p>Timer switch ON: Timer function is ON. OFF: Timer function is OFF.</p>		<p>Light level Indicator Disolv the relative value</p> <p>L-ON/D-ON Indicator(orange)</p> <p>Operation mode Selector L-ON/D-ON</p>	
Model E3X-ZD21/51/7/9		Model E3X-HD11/41/6/8	
<p>TEACH 指示灯 LIGHT ON 指示灯 OPERATING INDICATOR DARK ON 指示灯</p>		<p>[L/D Indicator] Displays Light ON/Dark O setting.</p> <p>[DPC Indicator] Turns ON when Dynamic Power Control is effective.</p> <p>[OUT Indicator] Turns ON when Output is ON.</p> <p>[ST Indicator] Turns ON when Smart Tuning is in progress.</p> <p>Sensitivity Setting [TUNE] Button A single press each for setting with/without a workplace. [ST indicator] turns ON.</p> <p>Minute Threshold Adjustment [UP/DOWN] Button The green digital value changes.</p> <p>Mode Change [MODE] Button Switches between SET mode and RUN mode by a long press (3 seconds or longer) of the key.</p> <p>Output Switch [L/D] Button A single press switches between Light ON/Dark ON. [L/D] Indicator changes.</p> <p>Refer to "③ Convenient Setting Features".</p>	

Specifications and prices in this product news are as of the issue date and are subject to change without notice. Only main changes in specifications are described in this document. Please be sure to read the relevant catalogs, datasheets, product specifications, instructions, and manuals for precautions and necessary information when using products.