

**Product Discontinuation
Notices**

Photoelectric Sensors

April 1, 2009

No.2009127E

Discontinuation Notice of photoelectric Sensor**Product Discontinuation****Recommended Replacement****OAC Series****No recommended replacement****Discontinuation date : The end of March, 2010****Caution on recommended replacement**

Model OAC series are accessories of Model OPE/OPL series that already been discontinued.
There is no substitute of the Model OAC series.

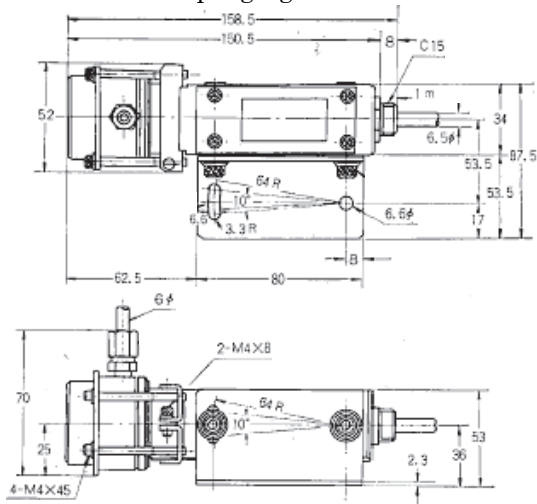
Product Discontinuation and recommended replacement

| Product discontinuation | | Recommended replacement | |
|-------------------------|--------------|-------------------------|--------------|
| Model | Product code | Model | Product code |
| OAC-A10 | OACA7001D | None | - |
| OAC-A20 | OACA7002B | None | - |
| OAC-C2 | OACC7002A | None | - |
| OAC-H10 | OACH7001F | None | - |
| OAC-H20 | OACH7002D | None | - |
| OAC-H3 | OACH7003B | None | - |
| OAC-J | OACJ7001D | None | - |
| OAC-N10 | OACN7001B | None | - |
| OAC-R10 | OACR7002R | None | - |
| OAC-R3 | OACR7001M | None | - |

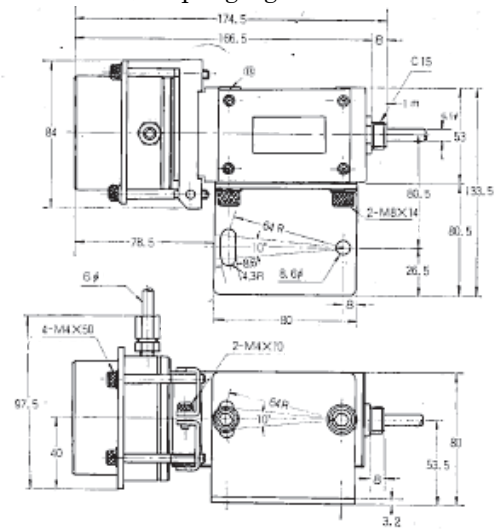
Dimensions

Product discontinuation Model OAC series

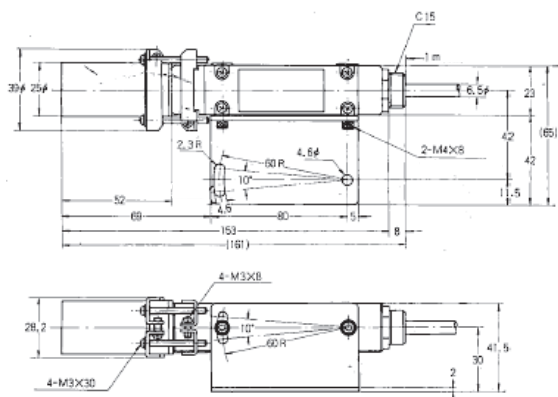
OAC-A10 (Air purging)



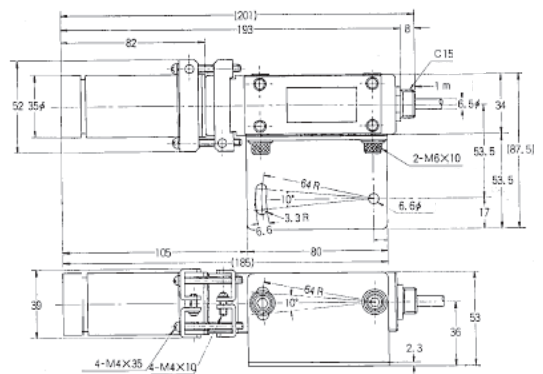
OAC-A20 (Air purging)



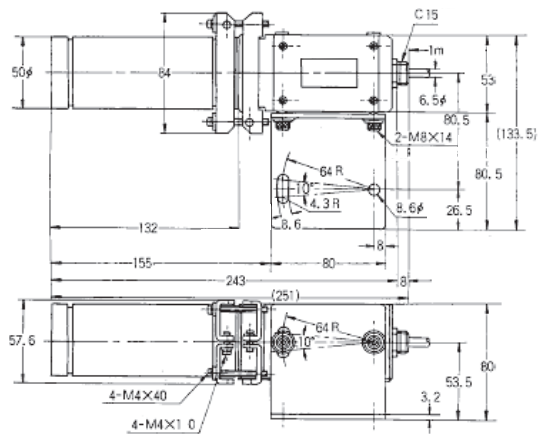
OAC-H3 (Hood)



OAC-H10 (Hood)



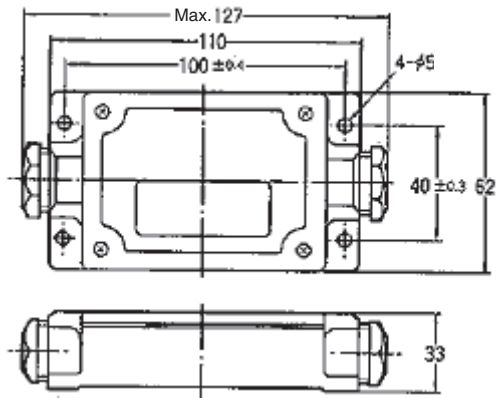
OAC-H20 (Hood)



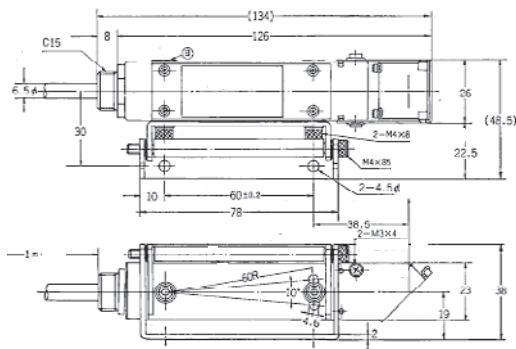
Dimensions

Product discontinuation Model OAC series

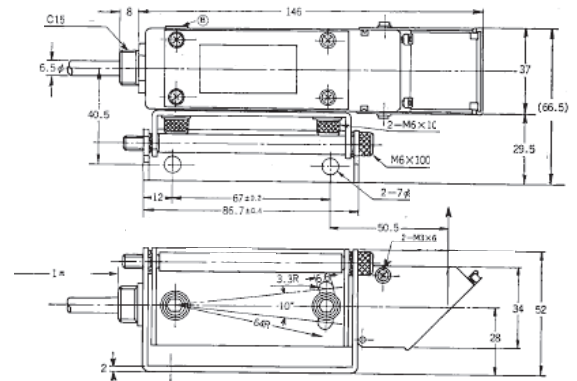
OAC-J (Joint box)



OAC-R3 (Reflector)



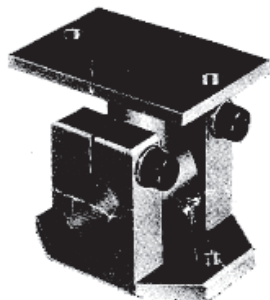
OAC-R10 (Reflector)



OAC-C2 (Protection case)



OAC-N10 (Installation stand)



Characteristic

| Product name | Product discontinuation model | Usage | Acceptable sensor |
|--------------------|-------------------------------|--|-------------------|
| Air purging | OAC-A10 | Use in dusty place | OPE-10 |
| | OAC-A20 | | OPE-20 |
| Protection case | OAC-C2 | The amplifier unit is protected from the atmosphere such as dust. | OPL-A |
| Hood | OAC-H3 | Dirt on the lens side with the drop of water and the oil droplet is prevented. | OPE-3 |
| | OAC-H10 | | OPE-10 |
| | OAC-H20 | Cover to turbulence light. | OPE-20 |
| Joint box | OAC-J | Relay terminal when cable extends | OPE |
| Installation stand | OAC-N10 | Installation stand | OPE-3/10 |
| | | | OPL-1/3 |
| Reflector | OAC-R3 | The light of the sensor of the top view type is changed to the side view. | OPE-3 |
| | OAC-R10 | | OPE-10 |