

Product Discontinuation Notices

June 1, 2011

Power Supplies

No. 2011162E

Discontinuation Notice of Switching Power Supply S82R series

Product Discontinuation

Switching Power Supply



S82R series

Recommended Replacement

Switching Power Supply

S8JX series
Two combinations

Discontinuation date : The end of April, 2011

Caution on recommended replacement

- The replacement of the S82R series become the combination of 2 units for S8JX series.
- Dimensions and Mounting Dimensions are different.
- The startup time becomes longer than previous models.

Difference from discontinued product

Model	Body Color	Dimensions	Wire connection	Mounting Dimensions	Characteristics	Operation ratings	Operation methods
S8JX series	*	--	--	--	--	--	--

** : Fully compatible

* : The change is a little/Almost compatible

-- : Not compatible

- : No corresponding specification

Product Discontinuation and recommended replacement

Open- frame type

Capacity	Product discontinuation				Recommended replacement				
	Output voltage/ current		Model		Output No.	Capacity	Output voltage	Output current	Model
	V ₁	V ₂	Input 100VAC	Input 200VAC					
30W	5V/2A	12V/2A	S82R-0321	S82R-2321	V ₁	15W	5V	3A	S8JX-G01505
					V ₂	35W	12V	3A	S8JX-G03512
	5V/2A	24V/1A	S82R-0322	S82R-2322	V ₁	15W	5V	3A	S8JX-G01505
					V ₂	35W	24V	1.5A	S8JX-G03524
30W	12V/1.7A	12V/0.8A	S82R-0327	S82R-2327	V ₁	35W	12V	3A	S8JX-G03512
					V ₂	15W	12V	1.3A	S8JX-G01512
	15V/1A	15V/1A	S82R-0328	S82R-2328	V ₁	15W	15V	1A	S8JX-G01515
					V ₂	15W	15V	1A	S8JX-G01515
50W	5V/3A	12V/3A	S82R-0521	S82R-2521	V ₁	15W	5V	3A	S8JX-G01505
					V ₂	35W	12V	3A	S8JX-G03512
	5V/2A	24V/2A	S82R-0522	S82R-2522	V ₁	15W	5V	3A	S8JX-G01505
					V ₂	50W	24V	2.1A	S8JX-G05024
50W	12V/3A	12V/1.2A	S82R-0527	S82R-2527	V ₁	35W	12V	3A	S8JX-G03512
					V ₂	15W	12V	1.3A	S8JX-G01512
	15V/1.7A	15V/1.7A	S82R-0528	S82R-2528	V ₁	35W	15V	2.4A	S8JX-G03515
					V ₂	35W	15V	2.4A	S8JX-G03515
75W	5V/5A	24V/2A	S82R-0722	S82R-2722	V ₁	35W	5V	7A	S8JX-G03505
					V ₂	50W	24V	2.1A	S8JX-G05024

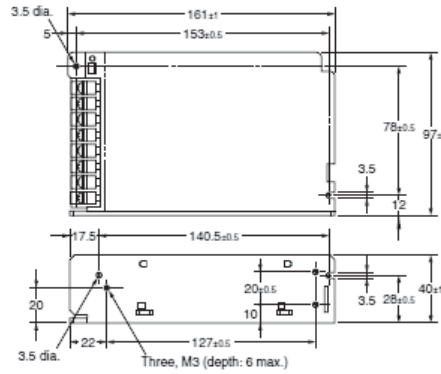
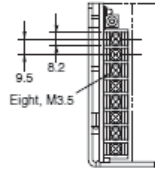
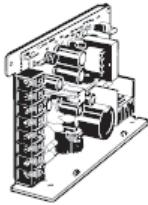
Covered type

Capacity	Product discontinuation				Recommended replacement				
	Output voltage/ current		Model		Output No.	Capacity	Output voltage	Output current	Model
	V ₁	V ₂	Input 100VAC	Input 200VAC					
30W	5V/2A	12V/2A	S82R-5321	S82R-6321	V ₁	15W	5V	3A	S8JX-G01505C
					V ₂	35W	12V	3A	S8JX-G03512C
	5V/2A	24V/1A	S82R-5322	S82R-6322	V ₁	15W	5V	3A	S8JX-G01505C
					V ₂	35W	24V	1.5A	S8JX-G03524C
30W	12V/1.7A	12V/0.8A	S82R-5327	S82R-6327	V ₁	35W	12V	3A	S8JX-G03512C
					V ₂	15W	12V	1.3A	S8JX-G01512C
	15V/1A	15V/1A	S82R-5328	S82R-6328	V ₁	15W	15V	1A	S8JX-G01515C
					V ₂	15W	15V	1A	S8JX-G01515C
50W	5V/3A	12V/3A	S82R-5521	S82R-6521	V ₁	15W	5V	3A	S8JX-G01505C
					V ₂	35W	12V	3A	S8JX-G03512C
	5V/2A	24V/2A	S82R-5522	S82R-6522	V ₁	15W	5V	3A	S8JX-G01505C
					V ₂	50W	24V	2.1A	S8JX-G05024C
50W	12V/3A	12V/1.2A	S82R-5527	S82R-6527	V ₁	35W	12V	3A	S8JX-G03512C
					V ₂	15W	12V	1.3A	S8JX-G01512C
	15V/1.7A	15V/1.7A	S82R-5528	S82R-6528	V ₁	35W	15V	2.4A	S8JX-G03515C
					V ₂	35W	15V	2.4A	S8JX-G03515C
75W	5V/5A	24V/2A	S82R-5722	S82R-6722	V ₁	35W	5V	7A	S8JX-G03505C
					V ₂	50W	24V	2.1A	S8JX-G05024C

Dimensions / Mounting dimensions

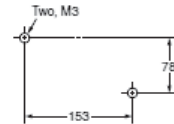
Product discontinuation S82R series (30W type)

S82R-□3□□ (30W)

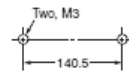


Mounting Holes

Side View

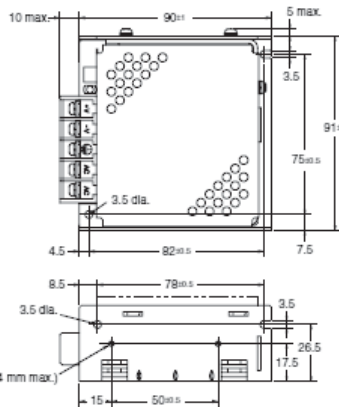
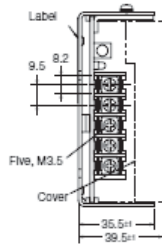


Bottom View



Recommendable replacement S8JX series (15W/35W type)

S8JX-G015□□ (15 W)
S8JX-G015□□C (15 W)
S8JX-G035□□ (35 W)
S8JX-G035□□C (35 W)



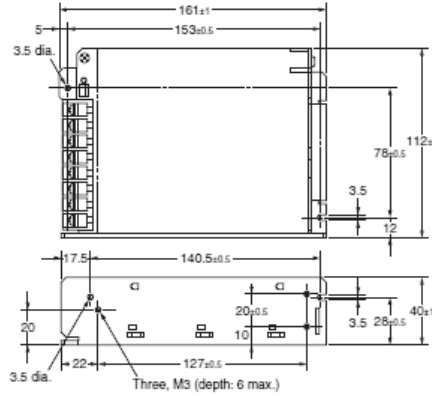
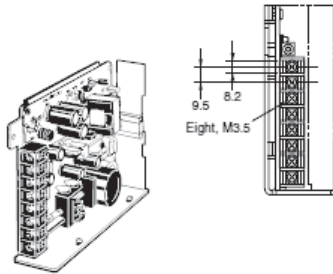
Panel mounting holes dimensions

		Surface screw mounting
Side Mounting		Two, M3
		75±0.5 82±0.5
Bottom Mounting		Two, M3 78±0.5

Dimensions / Mounting dimensions

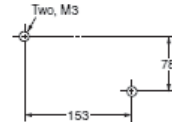
Product discontinuation S82R series (50W type)

S82R-□5□□ (50W)

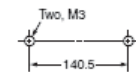


Mounting Holes

Side View

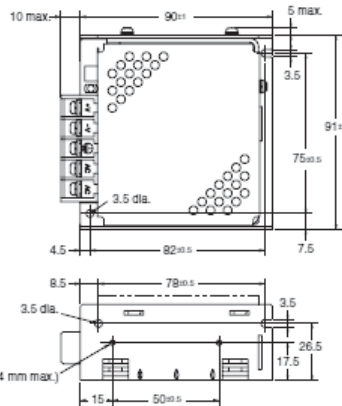
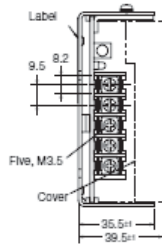


Bottom View



Recommendable replacement S8JX series (15W/35W/50W type)

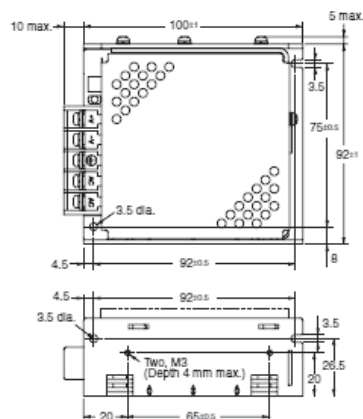
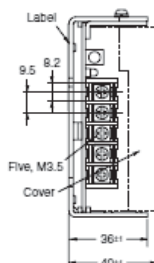
S8JX-G015□□ (15 W)
S8JX-G015□□C (15 W)
S8JX-G035□□ (35 W)
S8JX-G035□□C (35 W)



Panel mounting holes dimensions

Surface screw mounting	
Side Mounting	Two, M3
	75±0.5
Bottom Mounting	Two, M3
	82±0.5

S8JX-G050□□ (50 W)
S8JX-G050□□C (50 W)



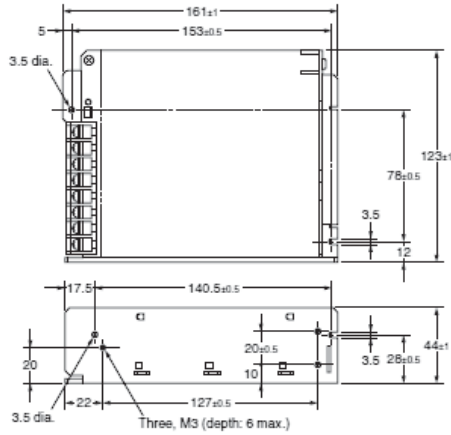
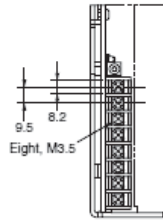
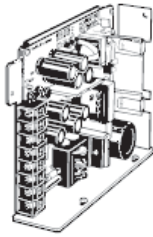
Panel mounting holes dimensions

Surface screw mounting	
Side Mounting	Two, M3
	75±0.5
Bottom Mounting	Two, M3
	92±0.5

Dimensions / Mounting dimensions

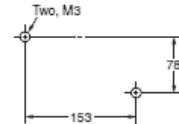
Product discontinuation S82R series (75W type)

S82R-□7□□ (75W)

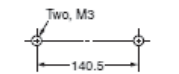


Mounting Holes

Side View

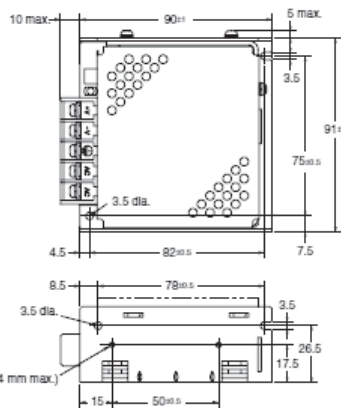
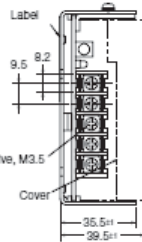


Bottom View



Recommendable replacement S8JX series (35W/50W type)

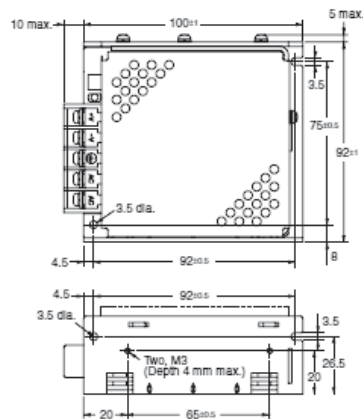
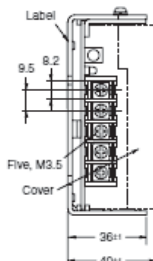
S8JX-G035□□ (35 W)
S8JX-G035□□C (35 W)



Panel mounting holes dimensions

		Surface screw mounting
Side Mounting		Two, M3
		75±0.5 82±0.5
Bottom Mounting		Two, M3 78±0.5

S8JX-G050□□ (50 W)
S8JX-G050□□C (50 W)



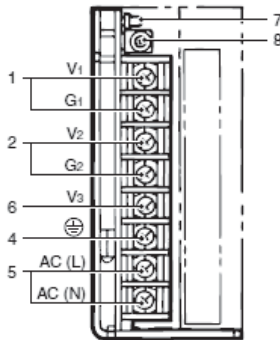
Panel mounting holes dimensions

		Surface screw mounting
Side Mounting		Two, M3
		75±0.5 92±0.5
Bottom Mounting		Two, M3 92±0.5

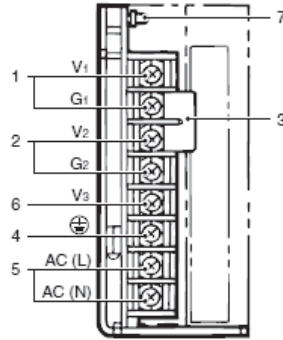
Terminal Arrangement / Wire Connection

Product discontinuation S82R series

S82R-□□21
S82R-□□22

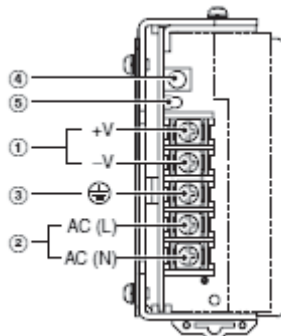


S82R-□□27
S82R-□□28



1. $V_1 (+), G_1 (-)$
2. $V_2 (+), G_2 (-)$
3. Short bar: Provided to make + outputs. Without it V_1 and V_2 outputs can be used as independent outputs. (Supplied only for S82R-□□27 and S82R-□□28 as an accessory.)
4. Protective Earthing terminal (\oplus): This terminal is short circuited to the frame and must be connected to a ground line.
5. Input terminal: Connect the input lines to these terminals
- Note:** A fuse is located on the AC(L) side. It is NOT user replaceable.
6. V3 terminal: Vacant terminal
7. Output indicator: Lights while V_1 DC voltage is being output.
8. Output voltage adjuster (V.ADJ.): Adjusts the output voltage (provided only for 5-V output type). (S82R-□□21 and S82R-□□22)

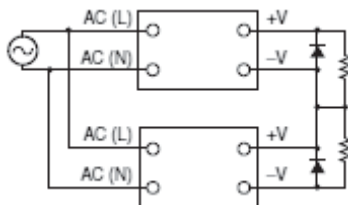
Recommendable replacement S8JX series



No.	Name	Function
1	DC Output Terminals (-V), (+V)	Connect the load lines to these terminals.
2	AC Input Terminals (L), (N)	Connect the input lines to these terminals. *1
3	Protective Earth Terminal (PE) (\oplus)	Connect the ground line to these terminals. *2
4	Output Voltage Adjuster (V. ADJ.)	Use to adjust the voltage.
5	Output Indicator (DC ON: Green)	Lights green while a direct current (DC) output is ON.

- *1. The fuse is located on the (L) side. It is NOT user-replaceable. For a DC power input, connect the low side to the positive (+) terminal.
- *2. This is the protective earth terminal specified in the safety standards. Always ground this terminal.

The (\pm) voltage output can be accomplished with two Power Supplies.



Note: 1. If the load is short-circuited, a reverse voltage will be generated inside the Power Supply. If this occurs the Power Supply may possibly deteriorate or be damaged. Always connect a diode as shown in the figure. Select a diode having the following ratings.

Type	Schottky Barrier diode
Dielectric strength (V_{RRM})	Twice the rated output voltage or above
Forward current (I_F)	Twice the rated output current or above

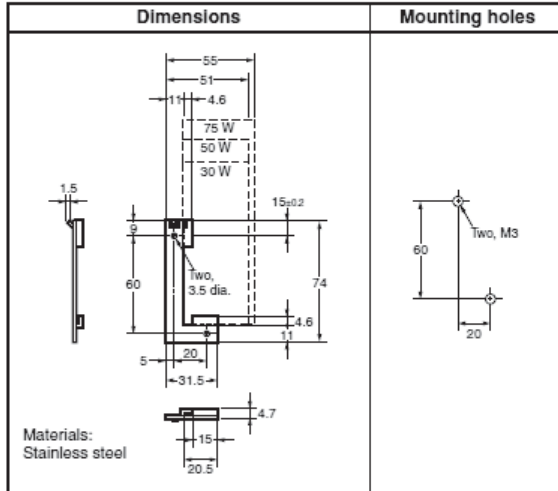
Characteristics

	Product discontinuation S82R series	Recommendable replacement S8JX series
Input voltage	100VAC input types : 85 to 132VAC, 110 to 170VDC 200VAC input types : 170 to 264VAC, No VDC	100 to 240VAC(85 to 264VAC), 80 to 370VDC
Inrush current (for a cold start at 25°C)	100VAC input types : 30 A max. (100VAC input) 200VAC input types : 60 A max. (200VAC input)	20 A max. (100VAC input) * It becomes 40A by the combination of 2 units. 40 A max. (200VAC input) * It becomes 80A by the combination of 2 units.
Startup time	200 ms max.	500 ms max.
Hold time	20 ms min.	20 ms min.
Overload protection	S82R-□□21/-□□22 V ₁ output : 105% min. of rated load current, voltage drop, automatic reset V ₂ output : 105% min. of rated load current, voltage drop, automatic reset S82R-□□27/-□□28 V ₁ output : 105% min. of rated load current, voltage drop, automatic reset V ₂ output : Short-circuit protection, automatic reset	105 to 175% of rated load current, voltage drop, intermittent, automatic reset
Over voltage protection	No	Yes (Cutoff type) Turn OFF the input power for three minutes or longer and then turn it back ON.
Shock resistance	294 m/s ² , 3 times each in ±X, ±Y, ±Z directions	150 m/s ² , 3 times each in ±X, ±Y, ±Z directions

**Product discontinuation
S82R series**

Front Mounting Bracket

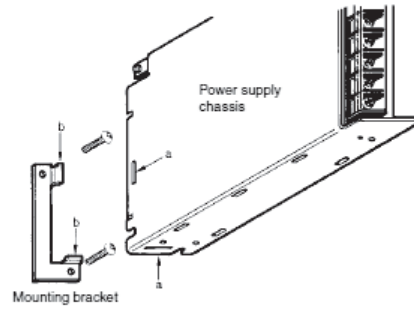
Note: The Mounting Bracket is supplied with the Power Supply.



Front Mounting

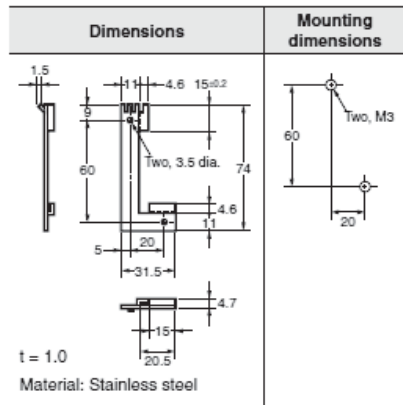
Attach the enclosed Mounting Bracket temporarily to the mounting surface, hook the rectangular holes on the Power Supply (a) on the hooks on the Bracket (b), and then tighten the two mounting screws.

Note: The mounting screws are not included.



**Recommendable replacement
S8JX series**

**S82Y-J00F Front-mounting
Bracket**



Front-mounting Method

Temporarily attach the enclosed mounting bracket as shown in the illustration on the right, hook the holes (parts a) in the Power Supply on hooks on the mounting bracket (parts b), and secure the Power Supply with two mounting screws.

Note: Mounting screws are not provided.

